

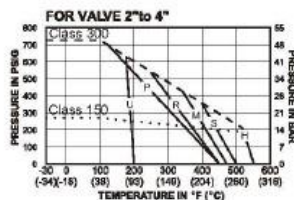
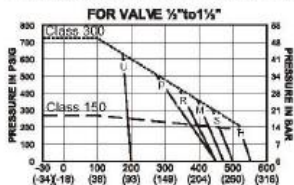
SERIES 9000 SPLIT BODY FLANGE BALL VALVE /FIRE RATED TO API607 4th EDITION

9150 ANSI CLASS 150

9300 ANSI CLASS 300

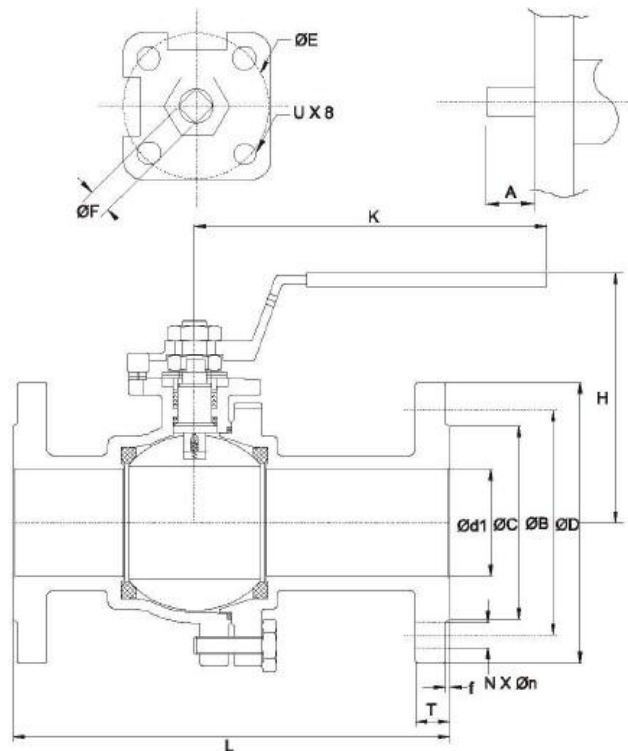


PRESSURE TEMPERATURE RATINGS



SEAT TYPE
U UHMWPE
P PTFE
R RPTFE

M MG1241
S 50% S/S FILLED PTFE
H HI-TEMP

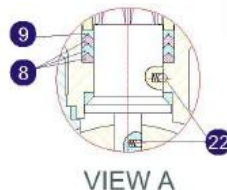
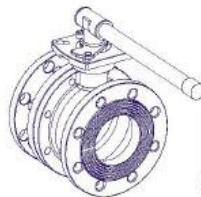
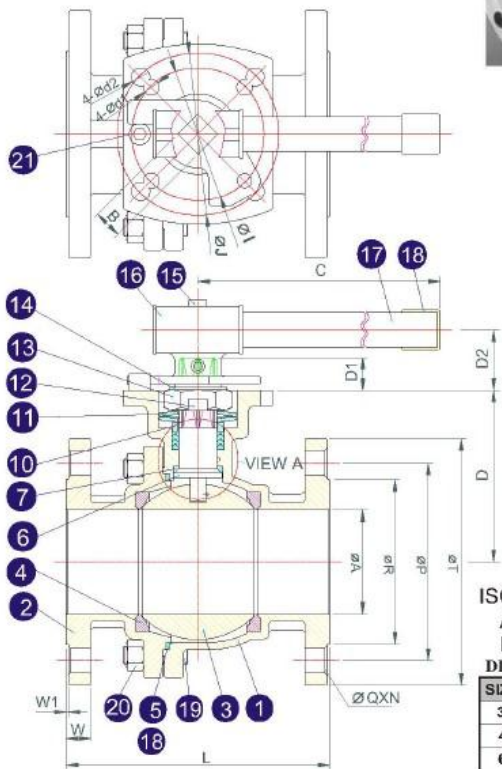


Size	A	ØE	ØF	U
1/2"	.56	F03/F04	.43	.15/.23
3/4"	.56	F03/F04	.43	.15/.23
1"	.60	F04/F05	.43	.23/.27
1 1/4"	.60	F04/F05	.43	.23/.27
1 1/2"	.80	F07/F10	.67	.35/.43
2"	.80	F07/F10	.67	.35/.43
2 1/2"	.80	F07/F10	.67	.35/.43
3"	.83	F10/F12	.87	.43/.55
4"	.83	F10/F12	.87	.43/.55



Size	ØB	*ØB	ØC	ØD	*ØD	H	K	L	*L	N	*N	T	*T	Ød1	Øn	*Øn	f
1/2"	2.38	2.62	1.38	3.51	3.74	3.23	5.32	4.26	5.50	4	4	.44	.56	.50	.63	.75	.06
3/4"	2.76	3.25	1.69	3.86	4.61	3.39	5.32	4.61	6.00	4	4	.44	.63	.75	.63	.75	.06
1"	3.13	3.51	2.01	4.26	4.89	3.86	6.50	5.00	6.50	4	4	.44	.69	1.00	.63	.75	.06
1 1/2"	3.88	4.50	2.88	5.00	6.15	4.69	7.88	6.50	7.50	4	4	.56	.82	1.50	.63	.75	.06
2"	4.75	5.00	3.62	5.99	6.50	5.04	7.88	7.00	8.50	4	8	.63	.88	2.00	.75	.75	.06
2 1/2"	5.50	5.87	4.14	7.01	7.49	6.38	9.85	7.50	9.50	4	8	.69	1.00	2.50	.75	.87	.06
3"	6.00	6.62	5.00	7.49	8.27	6.78	9.85	8.00	11.51	4	8	.75	1.13	3.00	.75	.87	.06
4"	7.51	7.88	6.19	9.02	10.01	7.76	11.82	9.00	12.00	8	8	.94	1.25	4.00	.75	.87	.06

* Dimension for ANSI Class 300



ISO 5211 Mounting Pad
ANSI CLASS 150
Direct Actuator Mount
DIMENSIONS (in)

SIZE	øA	B	C	D	D1	D2	øI	øJ	L	N	øP	øQ	øR	øT	W	W1	ød1	ød2	ISO5211
3"	3.00	.86	12.5	5.22	.90	1.82	4.02	4.92	8.01	4	5.98	.75	5.00	7.50	.75	.06	.47	.55	F10/F12
4"	4.00	.86	12.5	6.18	.90	1.82	4.02	4.92	9.00	8	7.50	.75	6.19	9.00	.95	.06	.47	.55	F10/F12
6"	6.00	$\frac{86}{106}$	29.55	8.25	1.12	2.62	4.92	5.51	15.51	8	9.50	.87	8.50	11.00	1.00	.06	.55	.70	F12/F14

MATERIALS LIST/ ALL SIZES

NO.	PART NAME	MATERIAL	Q'TY
1	Body	CF8M	1
2	Cap	CF8M	1
3	Ball	SUS 316	1
4	Seat	RPTFE	2
5	Joint Gasket	PTFE	1
6	Stem	SUS 316	1
7	Stem Seal	RPTFE	1
8	Gland Packing	PTFE	3
9	Gland Packing	25% Glass Fiber Filled+ PTFE	1
10	Gland Bush	SUS 304	1
11	Belleville Washer	SUS 301	2
12	Stop Washer	SUS 304	1
13	Stem Nut	SUS 304	1
14	Stem Washer	SUS 304	1
15	Handle Nut	SUS 304	2
16	Handle -A	SUS 304	1
17	Handle -B	SUS 304	1
18	Handle Sleeve	VINYL	1
19	Bolt	SUS 304	‡
20	Bolt Nut	SUS 304	‡
21	Stop Pin	SUS 304	1
22	Anti-static Device	SUS 304	2

‡ For 1/2"-2"-4 pcs., For 2 1/2"- 6 pcs., For 3"-4" 8pcs.
For 6"- 10pcs of stud and nuts.