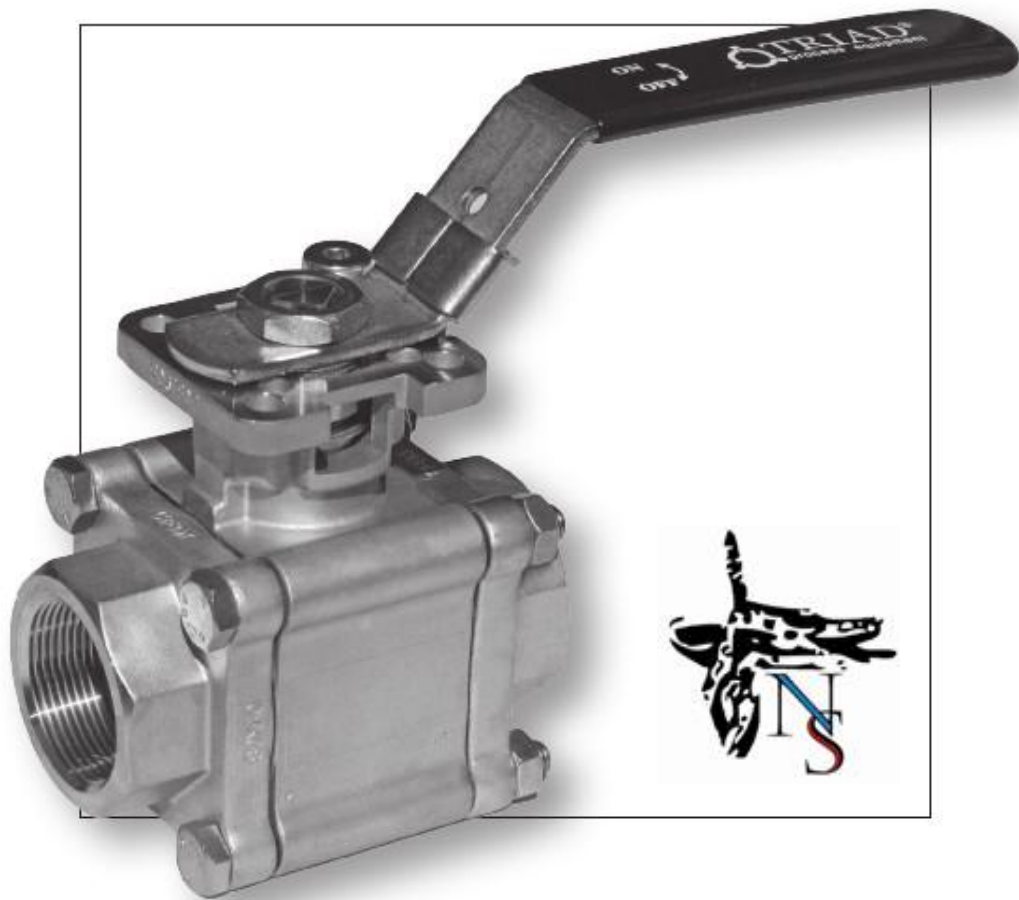




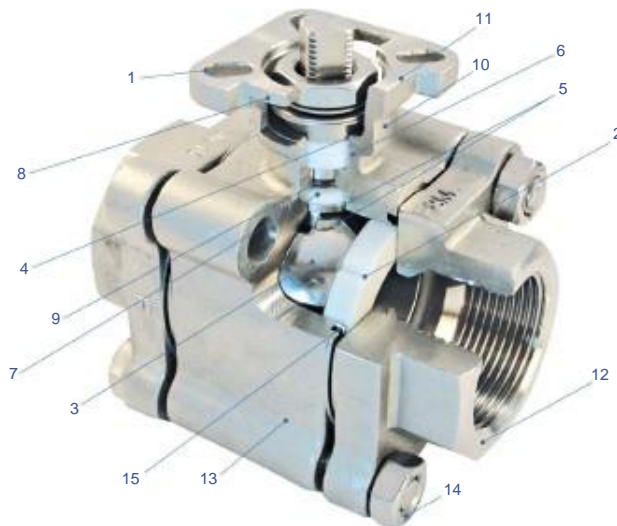
SERIES 66 THREE-PIECE FULL PORT FIRESAFE BALL VALVE

Series 66

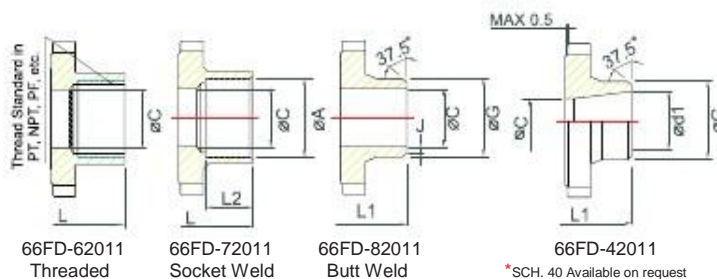


SERIES 66 THREE-PIECE FULL PORT FIRESAFE BALL VALVE

1. Dual Pattern ISO 5211 Mounting Pad with Square Shaft
Brackets are not required for actuation.
2. Seats
Relief slots are designed to relieve pressure in upstream piping reducing seat wear and valve torque.
3. Ball
Precisely machined, mirror polished solid ball for bubble tight shutoff with less operating torque.
4. Blow-Out Proof Stem
For maximum safety.
5. Anti-Static Device
Spring loaded stem to ball and stem to body anti-static device.
6. Super Smooth Stem Surface
To prolong service life, the smooth stem surface reduces seal friction and operating torque.
7. Pyramidal Stem Design
Provides optimum stem seal and extremely long cycle life.
8. Patented Leak-Watching Window
Standard on all sizes as an early detection of stem leak while preventing potential accidents.
9. O-Ring Stem Seal
Extends service life by enhancing the stem wear and maintains stem alignment.
10. Extended Valve Neck
Offers adequate room between the mounting pad and valve body for easy mounting of actuators.
11. Locking Device
Standard
12. Stainless Steel Welded
Ends are Optional in 316L
Reduces inter-granular corrosion in welding.
13. 3-Piece Swing-Out Design
Prompt and straightforward in line maintenance.
14. Encapsulated Body Bolts (up to 2")
Enhance environment protection essential for API 607 Fire-Safe qualification.
15. Fully Contained Body Seals
Allows in line welding without disassembly, maintains sealing integrity from high vacuum to high pressure and temperature applications.



Flex Metal™ High Performance Seat Material
A proprietary highly filled polymer seat. Offers abrasion resistance of metal with significantly higher pressure and temperature than RTFE. Temperature: -50°F to 470°F. Bubbletight shutoff.



Dimension "S" .67 / .75 (Standard .67 Optional .75)
H & B1 Dimensions ± 0.02 in.

SIZE	ØA	B1	B2	ØC	Ød1	# ØG	E	S	ØG	H	J
1/4"	0.56	0.30	1.68	0.25	0.36	0.54	5.47	0.35	0.85	3.03	0.13 #0.06
3/8"	0.69	0.30	1.68	0.38	0.49	0.69	5.47	0.35	0.85	3.03	0.11 #0.06
1/2"	0.86	0.30	1.68	0.50	0.62	0.85	5.47	0.35	0.85	3.03	0.06
3/4"	1.07	0.34	1.84	0.75	0.83	1.07	5.47	0.35	1.07	3.23	0.06
1"	1.33	0.41	2.33	1.00	1.05	1.34	6.50	0.43	1.34	3.88	0.06
1-1/4"	1.69	0.41	2.46	1.25	1.38	1.68	6.50	0.43	1.68	4.02	0.06
1-1/2"	1.93	0.53	3.11	1.50	1.61	1.91	8.46	0.55	1.91	5.04	0.06
2"	2.41	0.53	3.45	2.00	2.07	2.38	8.46	0.55	2.38	5.39	0.06
2-1/2"	2.91	0.66	4.28	2.50	2.56	2.87	11.81	.67/.75	3.00	6.57	0.08
3"	3.54	0.70	4.63	3.00	3.15	3.50	14.57	.67/.75	3.54	6.93	0.08
4"	4.55	0.66	5.26	4.00	4.02	4.49	14.57	.67/.75	4.57	7.56	0.14 #.08

*L - Dimension for DIN 3202-M3 Length
*L1 - Dimension for S13 Length
- Dimension for SCH.40
* - Dimension for Round End Cap

SERIES 66 THREE-PIECE FULL PORT FIRESAFE BALL VALVE

PYRAMIDAL MACHINED STEM WITH STEM SEAL

All valves come standard with direct mount actuator capabilities and our patented live loaded high cycle pyramidal stem seal design. The wedging action of the stem is far superior to flat stem design when it comes to effective wear compensation. For more information on this design please request Triad's Pyramidal Stem Design data sheet.

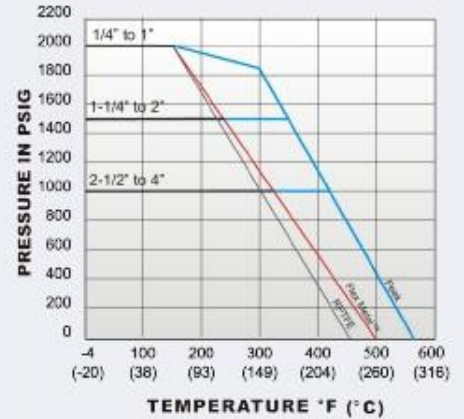
Standard Design



High Temp Design



Pressure Vs. Temperature Chart



V Ball Options

The Triad V Ball provides unlimited control options for all process applications. For more information please request the Triad V Ball Control Valves data sheet.



Metal Seated Option

The Triad metal seat option is available for elevated temperatures and abrasive conditions. For more information please request the Triad Metal Seated Valves data sheet.



Optional Seat Material

Tri-Fill™, Delrin, Virgin PTFE and UHMWPE seats available. Please consult factory.



Dual Pattern
ISO 5211 Mounting Pad



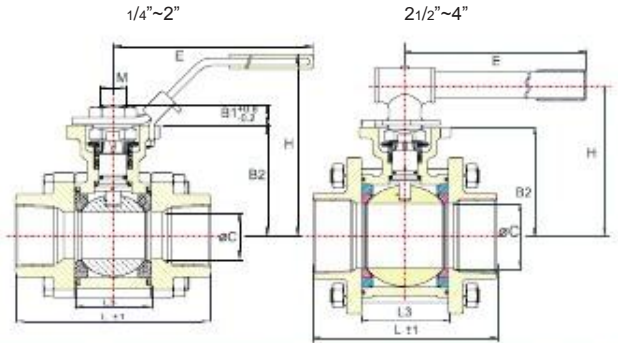
1/4"~1 1/2"



2"~4"



2"~4"
Available on request

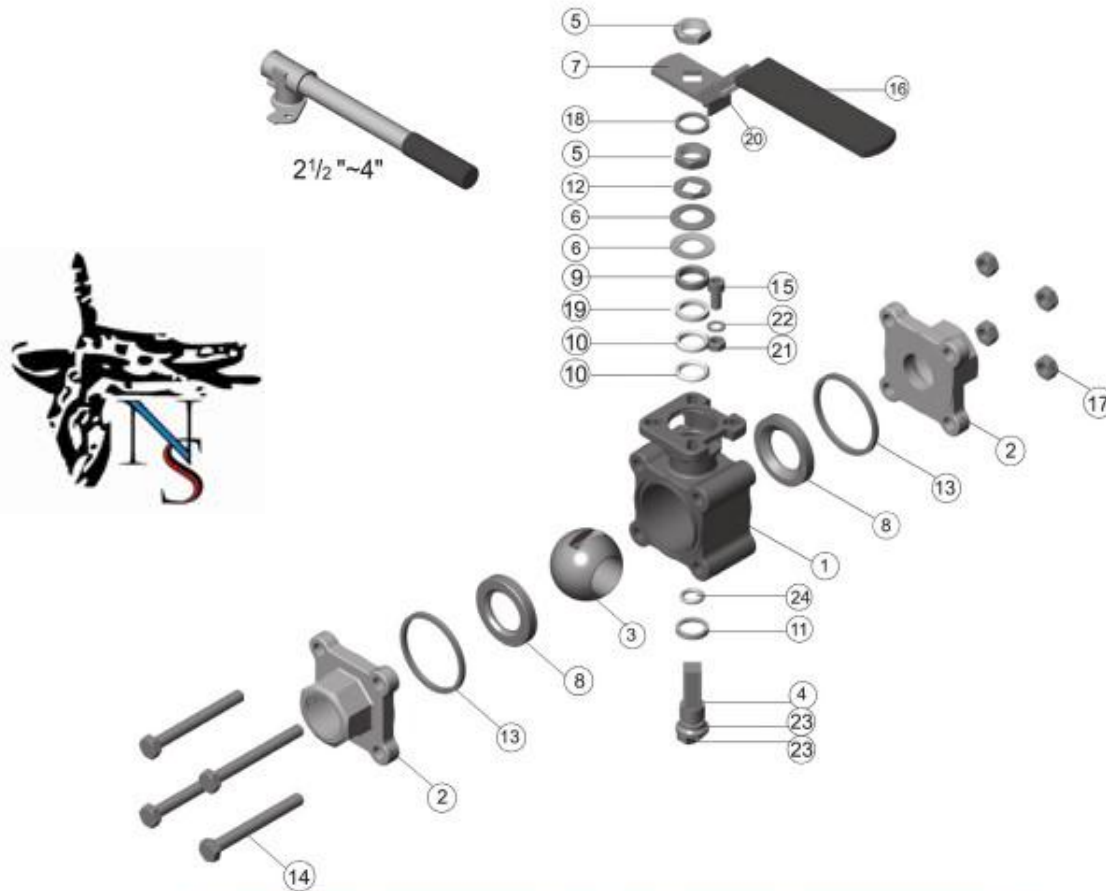


L	*L	*L1	L1	L2	ØI	ØJ	ØE1	ØE2	M	L3	ØF	ØD1	ØD2	T	LA	ISO5211	WT. (lb)
2.95	2.36	2.76	2.95	0.39	1.42	1.65	0.24	0.24	7/16"-20UNF	0.96	1.50					F03/F04	1.96
2.95	2.36	2.76	2.95	0.39	1.42	1.65	0.24	0.24	7/16"-20UNF	0.96	1.50	0.50	0.68	0.08	4.72	F03/F04	1.94
2.85	2.95	2.95	2.95	0.39	1.42	1.65	0.24	0.24	7/16"-20UNF	0.96	1.50	0.59	0.84	0.08	5.51	F03/F04	1.81
3.36	3.15	3.54	3.54	0.51	1.42	1.65	0.24	0.24	7/16"-20UNF	1.24	1.74	0.79	1.06	0.08	5.51	F03/F04	2.84
4.15	3.54	3.94	4.33	0.51	1.65	1.97	0.24	0.28	9/16"-18UNF	1.63	1.97	0.98	1.33	0.09	5.98	F04/F05	4.43
4.37	4.33	4.33	4.53	0.51	1.65	1.97	0.24	0.28	9/16"-18UNF	1.91	2.25	1.26	1.67	0.10	6.50	F04/F05	6.08
5.01	4.72	4.92	5.12	0.51	1.97	2.76	0.30	0.35	3/4"-16UNF	2.22	2.62	1.50	1.90	0.10	7.48	F05 & F07	9.28
5.62 *5.71	5.51	5.91	5.62 *5.71	0.63	1.97	2.76	0.30	0.35	3/4"-16UNF	2.81	4.49 *4.41	1.97	2.37	0.12	7.99	F05 & F07	12.85 *15.28
7.28	7.28	7.48	7.28	0.63	2.76	4.02	0.39	0.47	M24	3.41	5.47	2.56	3.00	0.14	10.00	F07/F10	26.46
8.07	8.07	8.66	8.07	0.63	2.76	4.02	0.39	0.47	M24	3.90	6.30	3.15	3.50	0.14	11.02	F07/F10	35.71
9.45	9.45	10.63	9.45	0.79	2.76	4.02	0.39	0.47	M24	5.00	7.60	3.94	4.50	0.14	12.48	F07/F10	56.88

© Size 1/4" to 1/2" ISO 5211 standard configuration is F03/F04, F03/F04/F05 & F04/F05 as option
Size 3/4" ISO 5211 standard configuration is F03/F04, F03/F04/F05 & F05/F07 as option
Size 1" to 1-1/4" ISO 5211 standard configuration is F04/F05, F05/F07 as option

SERIES 66 THREE-PIECE FULL PORT FIRESAFE BALL VALVE

Parts List



NO.	PART NAME	MATERIAL	Q'TY
1	Body	ASTM A351 Gr. CF8M	1
2	End Cap	ASTM A351 Gr. CF8M	2
3	Ball	316SS	1
4	Stem	316SS	1
5	Stem Nut	304SS	2
6	Belleville Washer	301SS	2
7	Handle	304SS	1
8	Seat	FlexMetal™	2
9	Gland	304SS	1
10	Stem Packing	PTFE	⊕
11	Stem Seal	RPTFE	1
12	Lock Saddle	304SS	1

⊠ Socket weld and butt weld uses CF3M material
 ⊕ For 1/4"–2"-2pcs, 2 1/2"–4"-3pcs.

NO.	PART NAME	MATERIAL	Q'TY
13	Joint Gasket	PTFE	2
14	Bolt	304SS	*
15	Stop Pin	304SS	1
16	Handle Sleeve	Vinyl	1
17	Bolt Nut	304SS	f
18	Stem Washer	304SS	1
19	Stem Packing	25% Glass Fiber Filled + PTFE	1
20	Locking Device	304SS	1
21	Pin Nut	304SS	1
22	Washer	304SS	1
23	Antistatic - Device	316SS	@
24	O-RING	VITON	1

* For 1/4" to 1 1/2" - 4pcs; For 2"–4" - 6pcs
 f For 1/4" to 1 1/2" - 4pcs; For 2"–6pcs, For 2 1/2"–4"-12pcs
 @ 1/4"–1/2"-1pcs, 3/4"–4"-2pcs.